

ALKON MODULAR SYSTEMS - BEIGE / GREY / BLUE



MODULAR SYSTEMS- GREY



CABINET & DRAWERS COLOUR [Grey] DRAWER FRONT COLOUR [Dark Grey]

MODULAR SYSTEMS-BLUE



CABINET & DRAWERS COLOUR [Blue] DRAWER FRONT COLOUR [Dark Blue]

Please note: colors shown here are similar, not exact, to actual product colors.

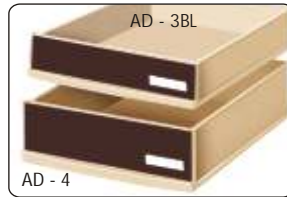
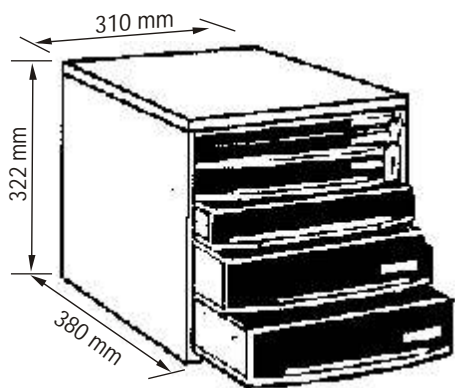
CABINET & DRAWERS COLOUR [Beige] DRAWER FRONT COLOUR [Dark Beige]

Please note: colors shown here are similar, not exact, to actual product colors.

Modular System - Beige / Grey / Blue is an ideal plastic filing system based on standard modules which can be interlocked and stacked on top of each other. The basic system is around four drawer sizes which can be interchanged in the ratio of 1 : 2 : 3 : 4. all cabinets can be supplied with / without central locking system.

Applications

Due to the system being modular in nature, these systems are used in a large variety of applications like Offices, Hospitals, Homes, Electronics, Engineering and Textile Industries.



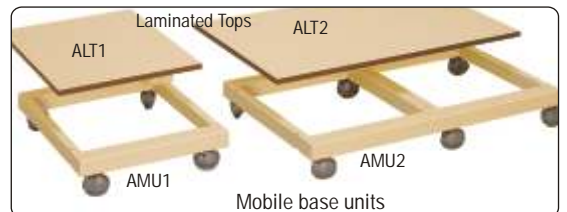
Mobile Unit Assembly



Combination of Containers

UTILITY CONTAINERS For storing of small parts, Three sizes of containers are available to fit in AD3 drawers.

Utility Containers available in 3 Sizes (in Beige & Grey Colours)
 UC 1 size 82 x 82 x 55
 UC 2 size 170 x 82 x 55
 UC 3 size 255 x 82 x 55



Mobile base units