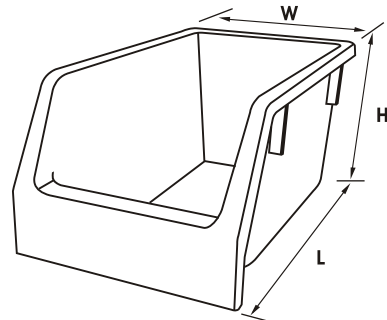


MADE FROM POLYPROPYLENE COPOLYMER.

- ▶ KOALA BINS nest to save transportation cost by almost 70%.
- ▶ The clear design of KOALA BINS make them easy to clean and use in dust free environments like Hospitals.
- ▶ Extra wide front face for sticking identification labels for easy content identification.
- ▶ Provision for vertical dividers to increase storage options in KOALA BIN AKP-35.
- ▶ KOALA BINS AKP-01 / AKP-11 / AKP-22 / AKP-32 / AKP-33 / AKP-35 have full length rear lip supports provided for hanging bins on louvered panels or rails.
- ▶ KOALA BINS AKP-32 / AKP-33 / AKP-35 / AKP-42 / AKP-43 designed to fit roll post shelving systems.
- ▶ Anti skid strips provided at the base.



BIN PARTITION



AKP-35 VP

Vertical Partition for KOALA BIN AKP-35 available as an accessory to increase storage options
 KOALA BIN AKP-35 VERTICAL PARTITION
 Art No.: AKP-35 VP



STACKABLE & NESTABLE