

ALKON TOTE BINS



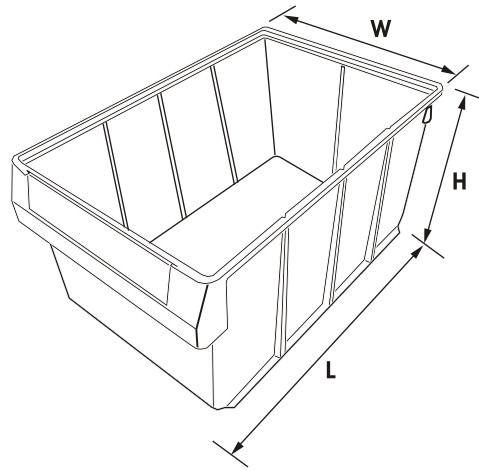
AK-421



AK-422

MADE FROM POLYPROPYLENE COPOLYMER.

- ▶ Stable and robust Design.
- ▶ Flexible use due to Vertical and Horizontal partitions (optional).
- ▶ Compatible with shelving and vertical storage systems.
- ▶ Large Label Holder.
- ▶ Smooth Internal wall for easy cleaning.
- ▶ Anti skid bottom.
- ▶ Stackable.



BIN PARTITIONS

Vertical Partition for BULL BINS. Available as an accessory to increase storage options

DIVIDERS FOR AK-421	ART NO.
Horizontal Plain Divider	AK-421-HP
Horizontal With Single Slot	AK-421-HP S1
Vertical With Three Slot	AK-421-VP S3

DIVIDERS FOR AK-422	ART NO.
Horizontal Divider	AK-422-HP



AK-421
Horizontal Dividers.



AK-421
Horizontal & Vertical Dividers.



AK-422
Horizontal divider.