

ALKON BULL BINS



BULL BIN 5



BULL BIN 15



BULL BIN 25



BULL BIN 35



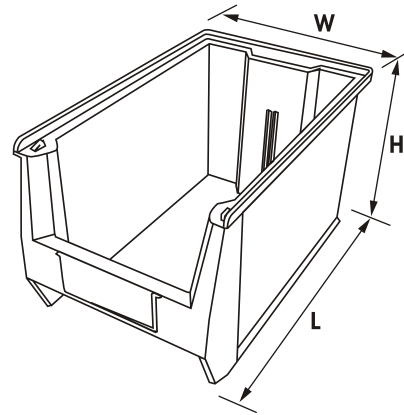
BULL BIN 45



BULL BIN 55

MADE FROM POLYPROPYLENE COPOLYMER.

- ▶ Provision for vertical dividers to increase storage options.
- ▶ Full length rear lip supports provided for hanging bins on louvered panels or rails.
- ▶ Anti skid strips provided at the base.
- ▶ Extra wide stacking base for secure stacking.
- ▶ Tapered front & rear bottom for easy movement on conveyers.
- ▶ Stopper prevents stacked bins from shifting forward.
- ▶ Extra wide label slot for easy content identification.



BULL BIN 45 VP



BULL BIN 35 VP



BULL BIN 25 VP

BIN PARTITIONS

Vertical Partition for BULL BINS. Available as an accessory to increase storage options

BULL BIN 25 VERTICAL PARTITION

Art No.: BULL BIN 25 VP

BULL BIN 35 VERTICAL PARTITION

Art No.: BULL BIN 35 VP

BULL BIN 45 VERTICAL PARTITION

Art No.: BULL BIN 45 VP